

HID compatible:

# Proximity Key Credentials



800-229-6693  
www.HPIsecurity.com

License# EF0000020

FOR SECURITY YOU CAN DEPEND ON SINCE 1979

Intrusion Security/Video Security/Access Control/Monitoring Systems

#4010 Thin Printable Card



#4000 Clamshell Card



#4090 Adhesive Disk



#4080 Key Fob



## Identive Credentials

Identive Credentials provide an efficient, reliable, and cost-effective solution to your existing or new access control systems. Identive Credentials offer universal compatibility with today's most popular brands, making integration a simple process. The cards feature 125 kHz LF technology, a white printable gloss surface for high quality printing output, ISO compliance and a lifetime warranty.

## Products

- Clamshell Credentials
- Credentials ISO PVC
- Credentials ISO Composite
- Credentials *Swipe* ISO PVC
- Credentials *Swipe* ISO Composite
- Key Fob
- PVC Disk

## FEATURES

- **LIFETIME WARRANTY** - Cards include a lifetime material defects and workmanship warranty
- **PERFORMANCE** - With its consistent read range and reliability, it is the popular choice for building access
- **GUARANTEED** - Guaranteed to meet or exceed your existing card performance without the cost
- **COMPLIANT** - Universal compatibility with most proximity readers
- **CARD IDENTIFICATION** - No additional charge for printing serial numbers or facility codes
- **SEAMLESS INTEGRATION** - Easily integrates with existing card populations
- **CUSTOM PRINTING** - Optional high quality four color artwork for ISO and clamshell credentials
- **DURABLE** - Available in your choice of PVC and long life composite construction
- **SCALABLE** - Upgrade cards as time and budget permits
- **EXPRESS DELIVERY** - Providing prompt, accurate and courteous service with an emphasis on speed



800-229-6693

www.HPIsecurity.com

License# EF0000020

FOR SECURITY YOU CAN DEPEND ON SINCE 1979

Intrusion Security/Video Security/Access Control/Monitoring Systems

# Proximity Cards

## Identive Credentials

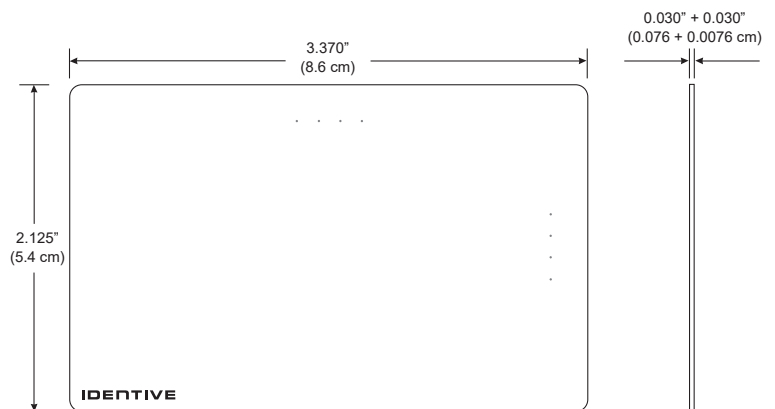
### Product Details

Identive 125 kHz LF proximity cards utilize the market's most popular proximity card standards and can be encoded in numerous Wiegand data formats. Please reference the credential ordering guide.

Part #	Product Name	Description
4000	Clamshell	Proximity Clamshell
4010	Credentials ISO PVC	ISO PVC Proximity Card
4020	Credentials ISO Composite	ISO Composite Proximity Card
4030	Credentials <i>Swipe</i> ISO PVC	ISO Duo PVC Magnetic Stripe Proximity Card
4032	Credentials <i>Swipe</i> ISO Composite	ISO Composite Magnetic Stripe Proximity Card
4080	Key Fob	Proximity Key Fob
4090	PVC Disk	Proximity PVC Disk

- No additional charge for printing serial number or facility codes.

Card Type	Identive Part Number*	HID® Part Number	XceedID/IR® Part Number
Clamshell	4000	1326	7410
ISO PVC	4010	1386	7510
ISO Composite	4020	1586	7510
ISO PVC Mag Stripe	4030	1336	7510M1
ISO Composite Mag Stripe	4032	1536	7510CM1
Key Fob	4080	1346	7610
PVC Disk	4090	1391	7610



\*Identive Part Numbers are Similar in Functionality and Performance.

### Ordering Information:

Specifications	Clamshell	ISO Printable	Key Fob	PVC Disk
<b>Credential Form Factor</b>	Clamshell	ISO Printable	Key Fob	PVC Disk
<b>Dimensions</b>	Inches 3.37 x 2.125 x 0.075	Inches 3.37 x 2.125 x 0.033	Inches 2.18 x 1.23 x 0.32	35mm
<b>Weight</b>	0.317 oz.	0.212 oz.	0.18 oz.	0.045 oz.
<b>Frequency</b>	125 kHz	125 kHz	125 kHz	125 kHz
<b>Read Range*</b>	Up to 5 inches	Up to 5 inches	Up to 2.5 inches	Up to 2 inches
<b>Slot Punch</b>	Vertical	Vertical or Horizontal	Key Hole Ring	None
<b>Operating Temperature</b>	-50° to 160°F	-50° to 160°F	-50° to 160°F	-50° to 160°F
<b>Material</b>	Hard Shell: ABS Cover Label: PVC	PVC	Polycarbonate	PVC/Adhesive Backing
<b>Part Numbers</b>	4000	4010, 4020, 4030 & 4032	4080	4090

\*Read Range is dependent on installation environment and reader tuning.

### Contacts



Call

800-229-6693

www.HPIsecurity.com

An Authorized Dealer